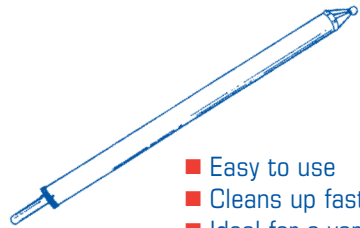
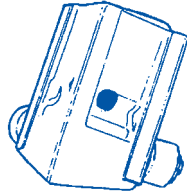


## Second or Finish Coat

1 Using the Better-Than-Ever Compound tube. (Available in 24", 36" or 48") Attach the inside corner applicator. Place in your mud, use your normal finishing mud as you have been doing. Draw the mud into the tube by simply pulling on the handle. Place the corner applicator on your angles and with the wheels leading, simply press lightly on the handle of the tube and apply your mud then glaze with 3" or 4" corner flusher

- Distributes mud evenly & easily
- Slides smoothly & accurately
- Durable
- No expensive parts
- Also available for 45° inside corr



- Easy to use
- Cleans up fast & easy
- Ideal for a variety of compounds
- Durable, no expensive parts
- Direct draw refill

2 Using the **Better-Than-Ever 3" or 4" Corner Flusher** Finish your corners and bottoms the same as you did in your first coat. **Again no need to pick**

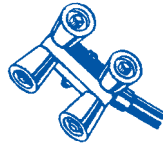
**ONE POINT:** Some have found it advantageous to do all your uppers first and once they are dry, go back and do your drops. Because you are able to go fast this will not hold you up.

If you choose to do both the upper and the drops at the same time. First flush the uppers, then place the flusher about 3" from the top and pull down to get a clean corner.

3 You would do your nails and flats as you always have.

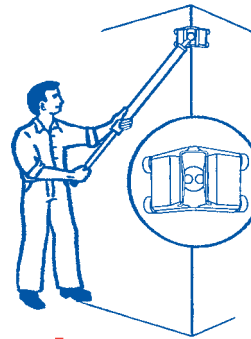
## Outside Corners & Sanding

If you are using paper bead you will want to use our Better-Than-Ever **OUTSIDE CORNER APPLICATOR**. As you did with the inside applicator, draw mud into your compound Tube, then clip on the outside application and apply to your outside corners. Then place your corner bead straight or bull nose and using a Better-Than-Ever outside corner roller. Roll into place. Simple, Easy and Fast. Applicator also available for 45° degree outside corners



- Easy to use
- Allows you to position corner bead as you roll

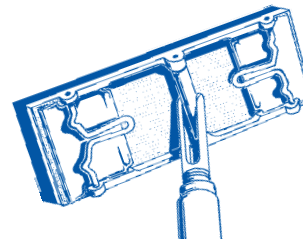
- Easy to use
- Fast - efficient
- Can be used with straight & bull nose bead.



## The Super Sander

*"Simply the best pole sander you can buy"*

- Light
- Reduced labour
- 50% more angle
- Reduced pad flip
- No wing nuts to lose
- Smoother



Now available with extension pole

2' to 3 1/2' • 3' to 5 1/2' • 4' to 7 1/2'

DISTRIBUTED BY

Save time & Save Money!

Better-than-Ever  
T-O-O-L-S

The best drywall tape application system available

### IMAGINE

- ✓ No more picking corners
- ✓ No more rolling
- ✓ No more blisters

### ADDITIONAL BENEFITS

- ✓ Save hours on every job
- ✓ Use less mud
- ✓ Avoid the cost and time of repairs



The most efficient cost effective-method of applying drywall tape in the industry today.

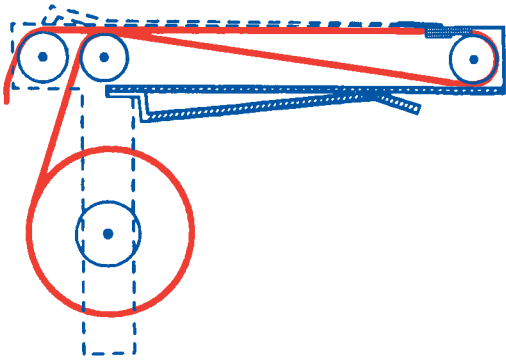
*Easy to use,  
Easy to learn*

Simply follow the easy step by step instructions, and all the above benefits will be reality.

Buy a set today and start **SAVING!**

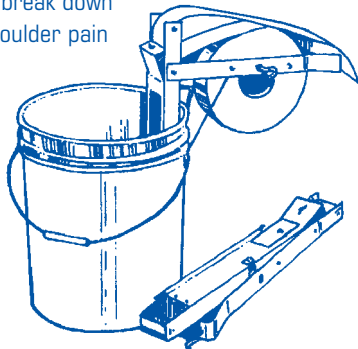
# Set Up

- 1 Mix your taping mud to the proper consistency. Like that of thin pancake batter. **Not too thick**
- 2 Load tape into the **Super Taper**. Pull tape through opening on the back of taper over the middle roller, push under the bottom roller, lay on top of bottom roller over top of the stainless bar, run to top of taper, lay on top of upper roller, close top and you are ready to go.



- 3 Clip the **Super Taper** on the side of your five gallon pail of readied mud.

- Easy to use
- Portable. Great for scaffold work
- May be used by more than one person
- Excellent for fire taping
- Durable, nothing to break down
- No more back or shoulder pain

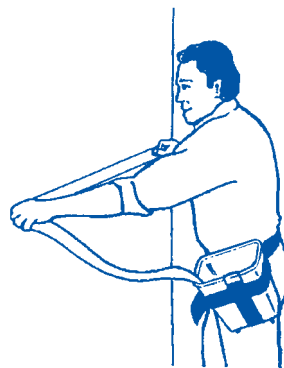


# First Coat Flats & Lids

- 4 Put on the belt and bucket.
- 5 Pulling the tape through the **Super Taper** into your bucket, keeping an eye on your tape to be sure you have a consistent coverage of mud, (if the mud is skipping on tape, it is too thick). **This Will Eliminate Blisters.** You may adjust the amount of mud applied to the tape by simply adjusting the screw on the top of your **Super Taper**.



- 6 Apply tape to walls and ceilings by pressing the tape lightly with your fingers and pulling the tape tight as you move forward.

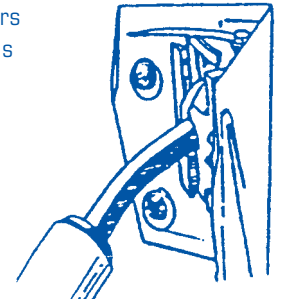


- 7 Wipe your walls and ceilings with a 10" knife. You may chose not to carry a bread pan due to the fact that you have controlled the amount of mud you applied by using the adjustment wing nut on the the top of the taper. Simply feather the mud into the bevel.

# Corner or Angles

- 8 Apply tape to all your upper corners and 3 ways. Simpy tear the tape and overlap ends. Run tape down as far as you can reach.
- 9 Using a 2" **Better-Than-Ever Corner Tool**, simply start about 6" out from the corner, press against corner and glaze. To do your corners, back the flusher right into the corner and pull out and down. **DO NOT PUSH INTO THE CORNER.** This will eliminate the need to pick.

- Made of flexible stainless steel
- Creases tape into corner in one motion
- Feathers the coat of mud with one pass
- Will not pull tape off floor or out of corners
- Also available for 45 degree inside corners
- No blades to break
- Does not pick up hitchhikers
- Goes over screws and nails without breaking the head



**Corner Flusher Handle.** Also available in **extension model**  
2' to 3½' • 3' to 5½' • 4' to 7½'

- 10 Lay your bottoms as you do your corners, then place the 2" **Better-Than-Ever Flusher** right at the floor and pull up. **No Floors to Pick!**